

AFTERCARE INSTRUCTIONS

Excessive exposure to water will deteriorate the furniture. Wipe away any water splashes or condensation after use.

All bathrooms should be well ventilated. We recommend that every bathroom is fitted with suitable extractor fan.

Clean with a soft damp cloth only.

Use a wax free polish if one must be used.

CUSTOMER SERVICE

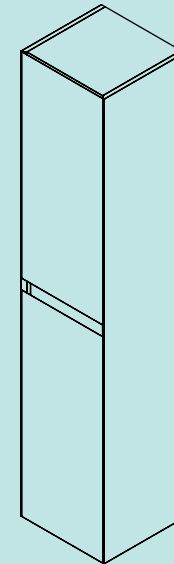
t: +44(0)208 686 5100
e: technical@saneux.com

Iain Stewart Centre, Beehive
Ring Road, Gatwick, RH6 0PB

www.saneux.com

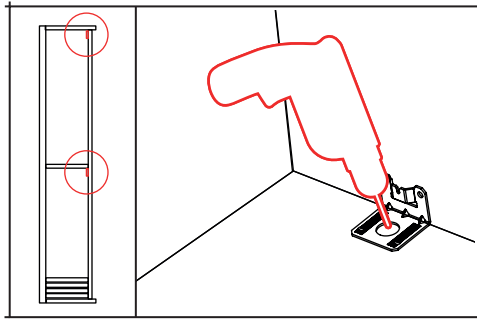
UNI

INSTALLATION INSTRUCTIONS



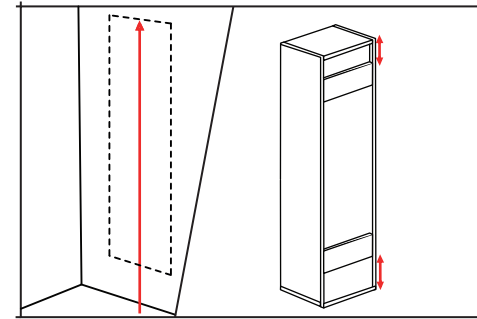
UNO35S

saneux



1.
Furniture Installation.
Matte White - .MW
Matte Anthracite - .MA

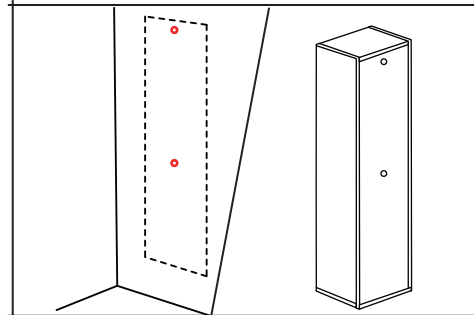
Pilot drill the back of the unit, through the fixing bracket hole.



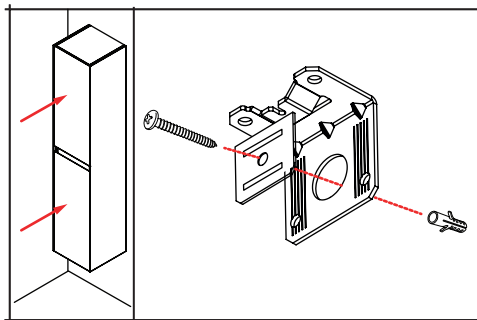
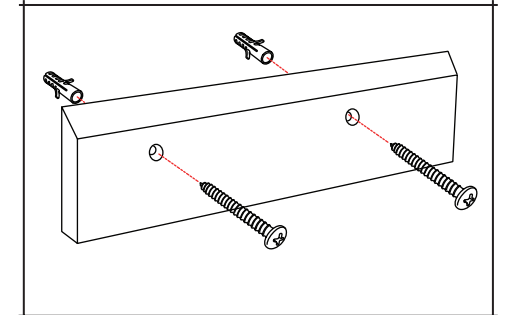
1.
Furniture Installation.
English Oak - .EO

Decide whether you want left or right hand opening. Turn the cabinet the correct way up for your chosen opening. Offer the unit to the wall and mark it's location. Measure the distance from the top and bottom of the unit to the bracing bars on the back of the unit.

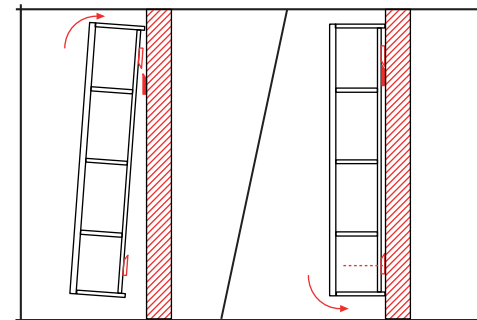
2.
Make sure that there are no hidden pipes or cables in the wall. Offer the unit to the wall and mark the location of the holes just created. Drill the holes on the wall and insert the wall plugs. The fixings supplied are for solid walls. For hollow or stud walls use specialist fixings.



2.
Make sure that there are no hidden pipes or cables in the wall. Drill 2 holes per mounting bar, using an 8mm drill bit to a depth of 55mm. The fixings supplied are for solid walls. For hollow or stud walls use specialist fixings.

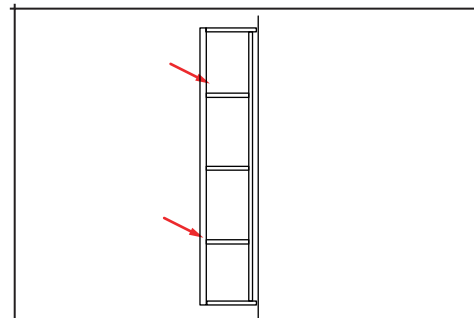


3.
With the wall plugs in place, offer the unit to the wall and secure the screw through both mounting plates on each wall fixing. Ensure the unit is level before tightly securing to the wall.



3.
Hang the furniture unit on the top bar, allowing it to slide down into position. We recommend further securing the unit to the wall by driving 2 screws through the lower bracing bar.

4.
With the unit secured to the wall, install the desired amount of shelves with the fixings provided.



4.
The doors can be removed by pushing the button at the back of each hinge. The position of the doors can be adjusted by the screws on the hinges. Screw A adjusts the depth. Screw B adjusts the width.

